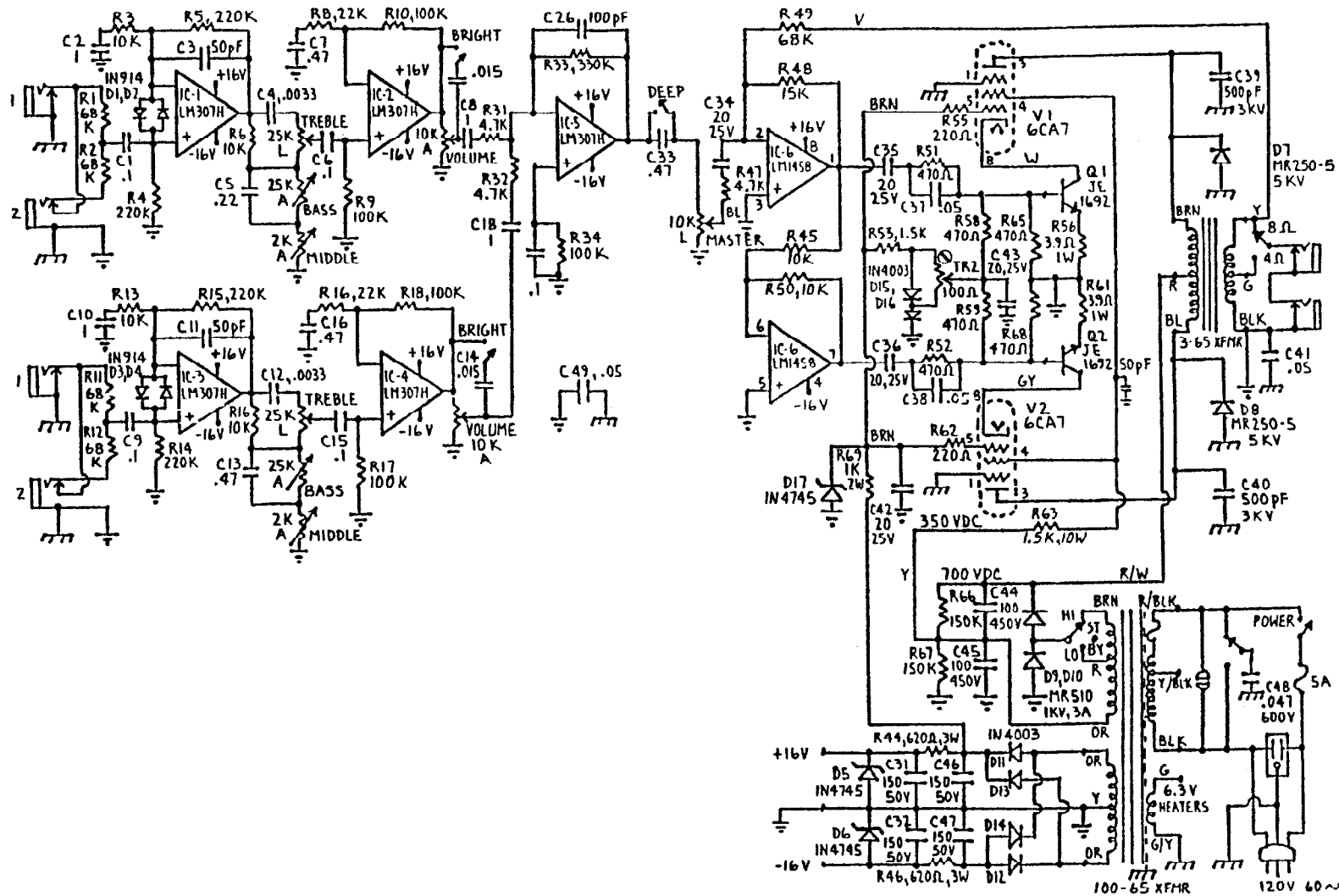


2100-65

# Music Man

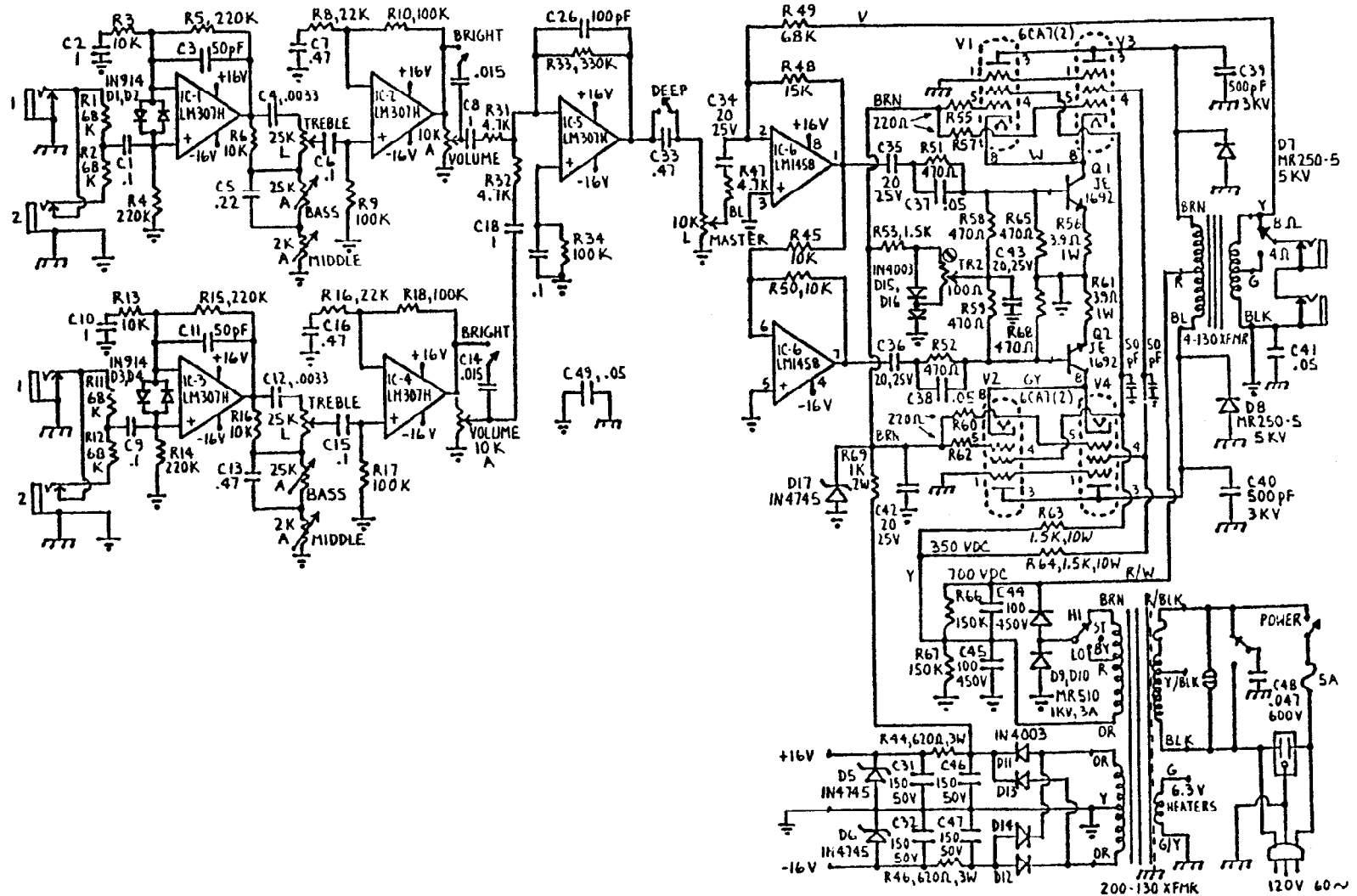


CHASSIS N<sup>o</sup> 2100-65

MUSIC MAN INC.  
ANAHEIM, CA.

2100-130

Music Man

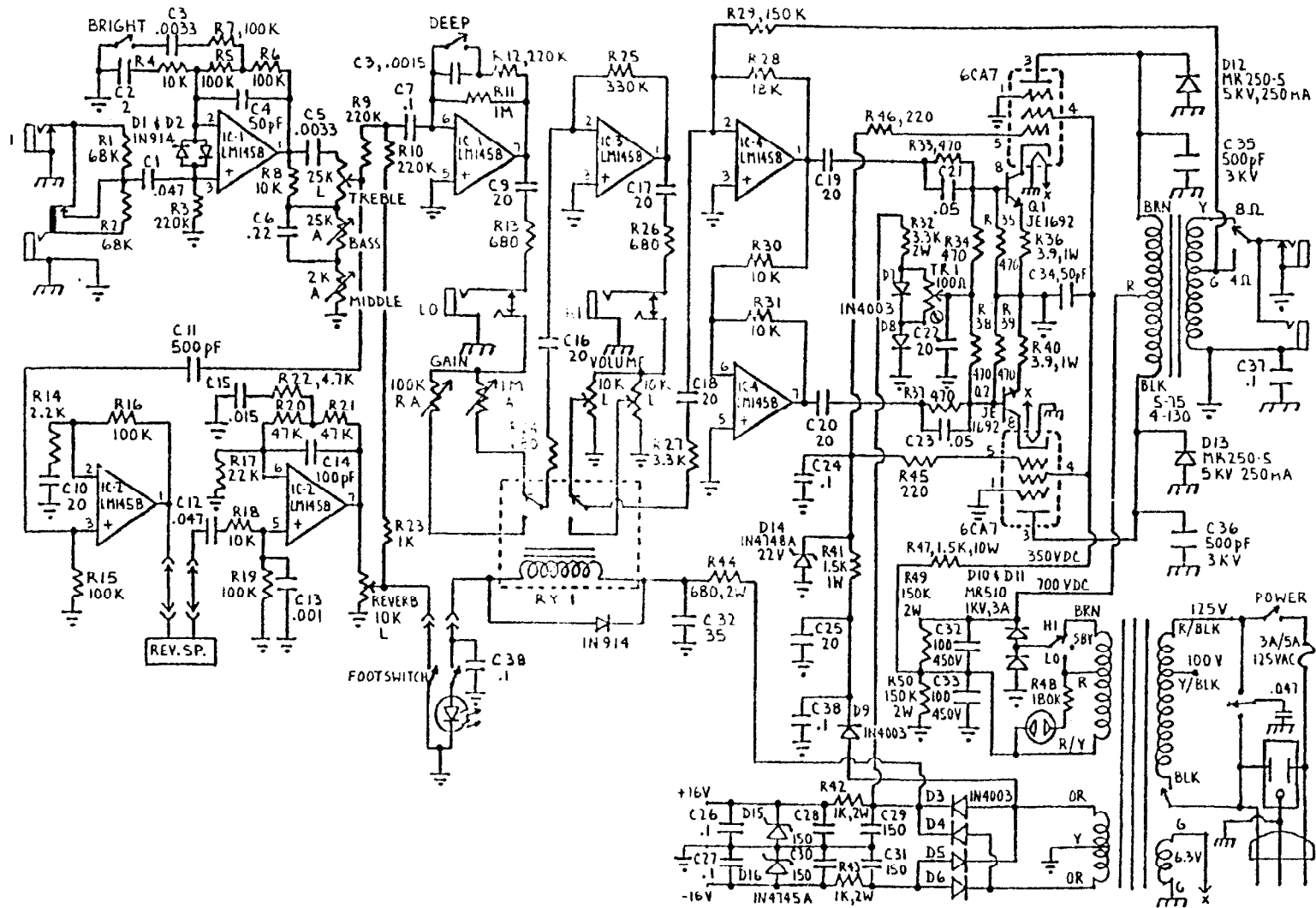


CHASSIS № 2100-130

MUSIC MAN INC.  
ANAHEIM, CA.

2165-RD & 2100-RD

Music Man

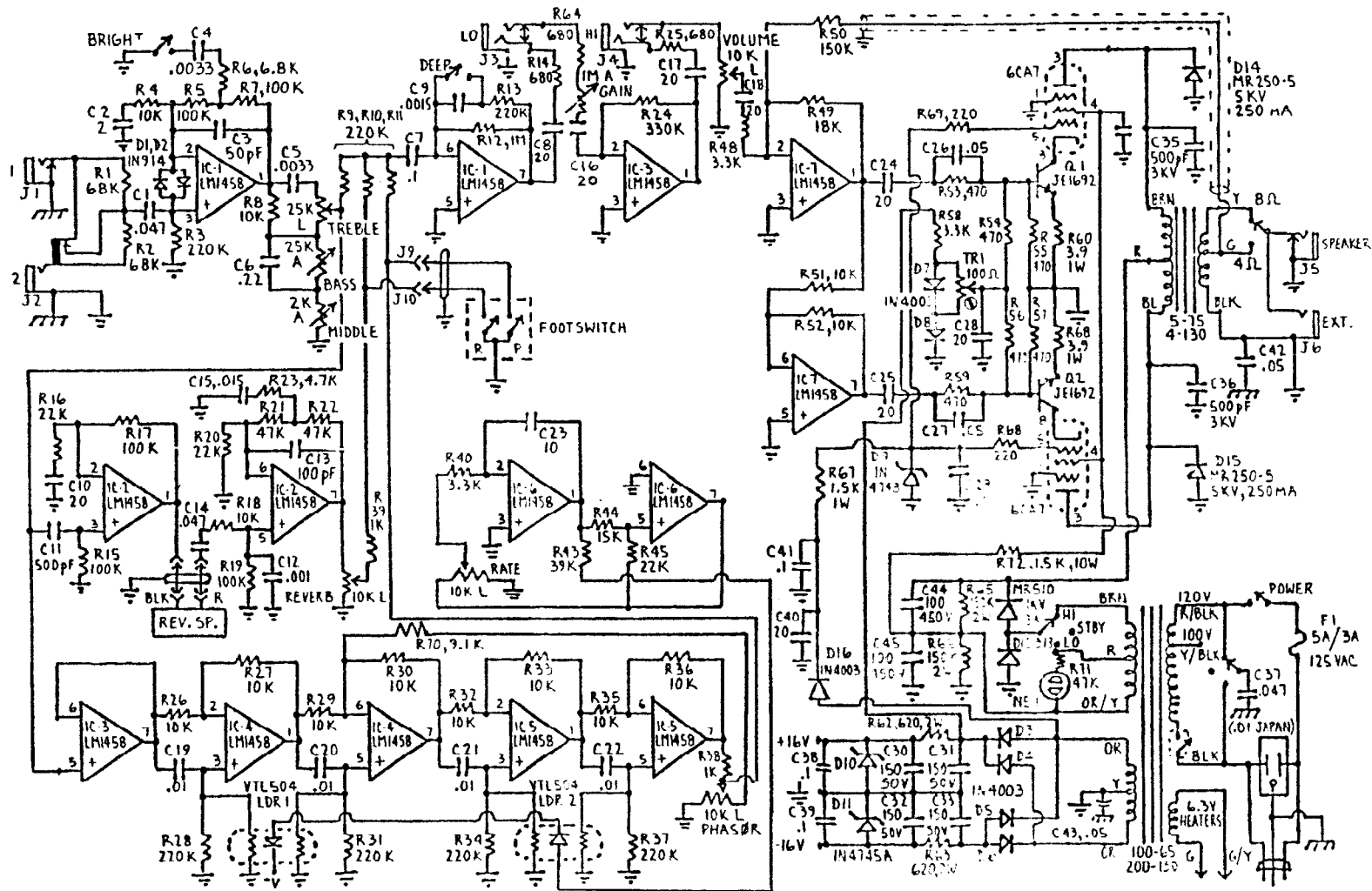


CHASSIS N° 2165-RD & 2100-RD

MUSIC MAN INC.  
ANAHEIM, CA.

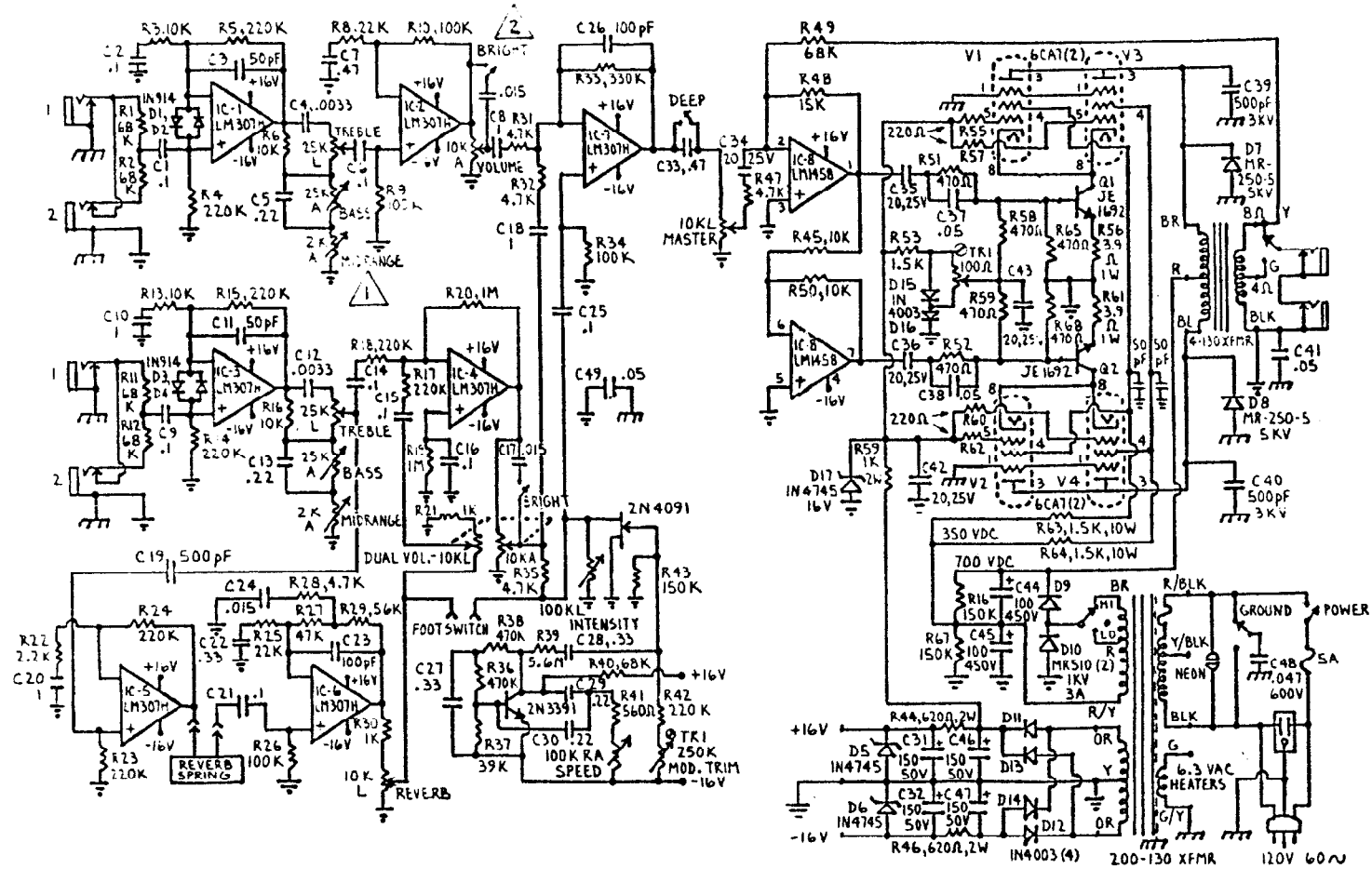
2165-RP & 2100-RP

Music Man



CHASSIS No 2165-RP & 2100-RP  
(E.C. BOARD GP-2)

MUSIC MAN INC.  
ANAHEIM, CA.



⚠ ON 2275 CHASSIS, BRIGHT SWITCH & .015MF CAP. ARE ELIMINATED.

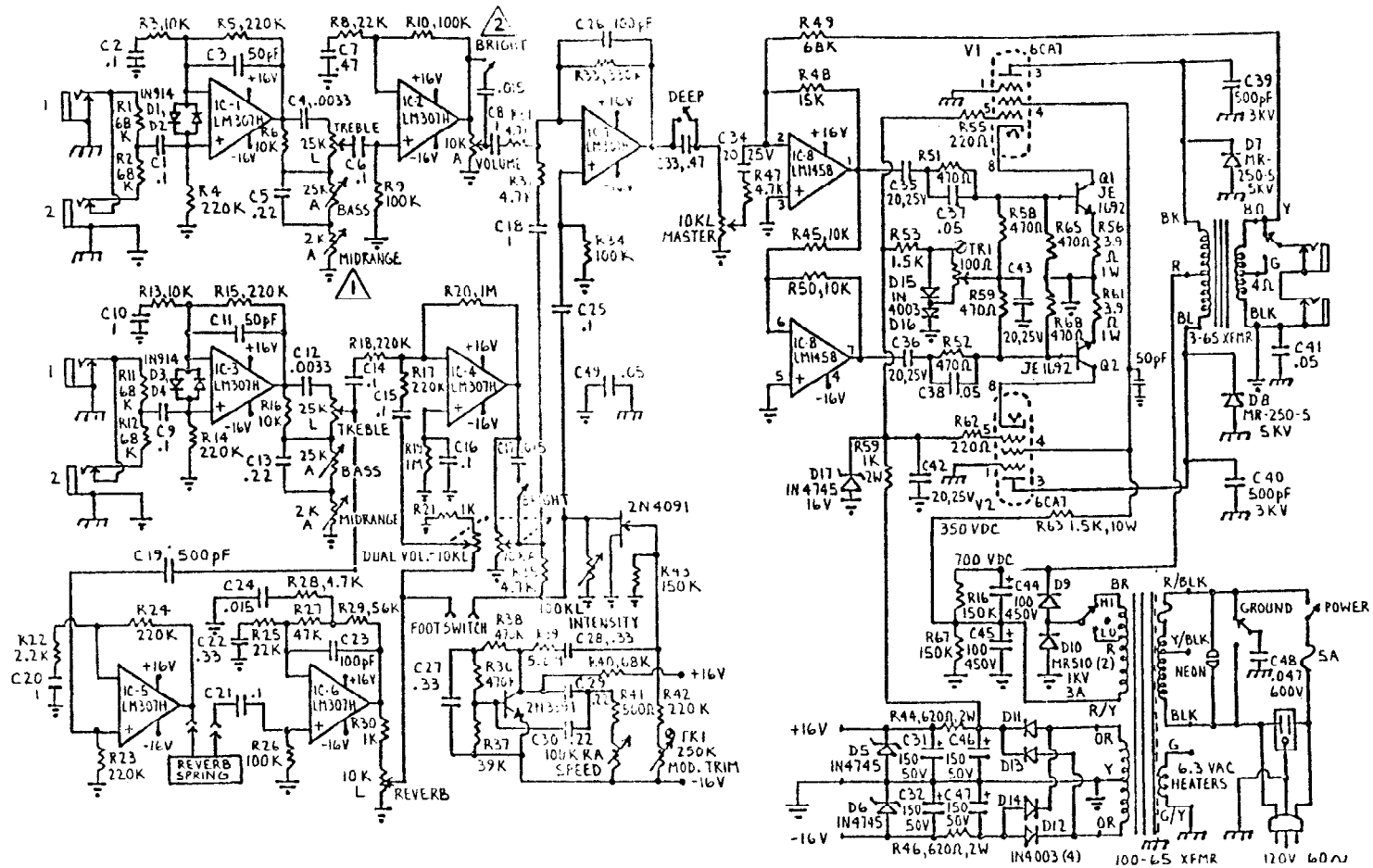
NOTE: ⚠ ON 2275 CHASSIS, MIDRANGE IS REPLACED BY 820Ω RESISTOR.

CHASSIS NO 2475-130 & 2275-130

MUSIC MAN INC. ANAHEIM, CA.

2475-65 & 2275-65

Music Man



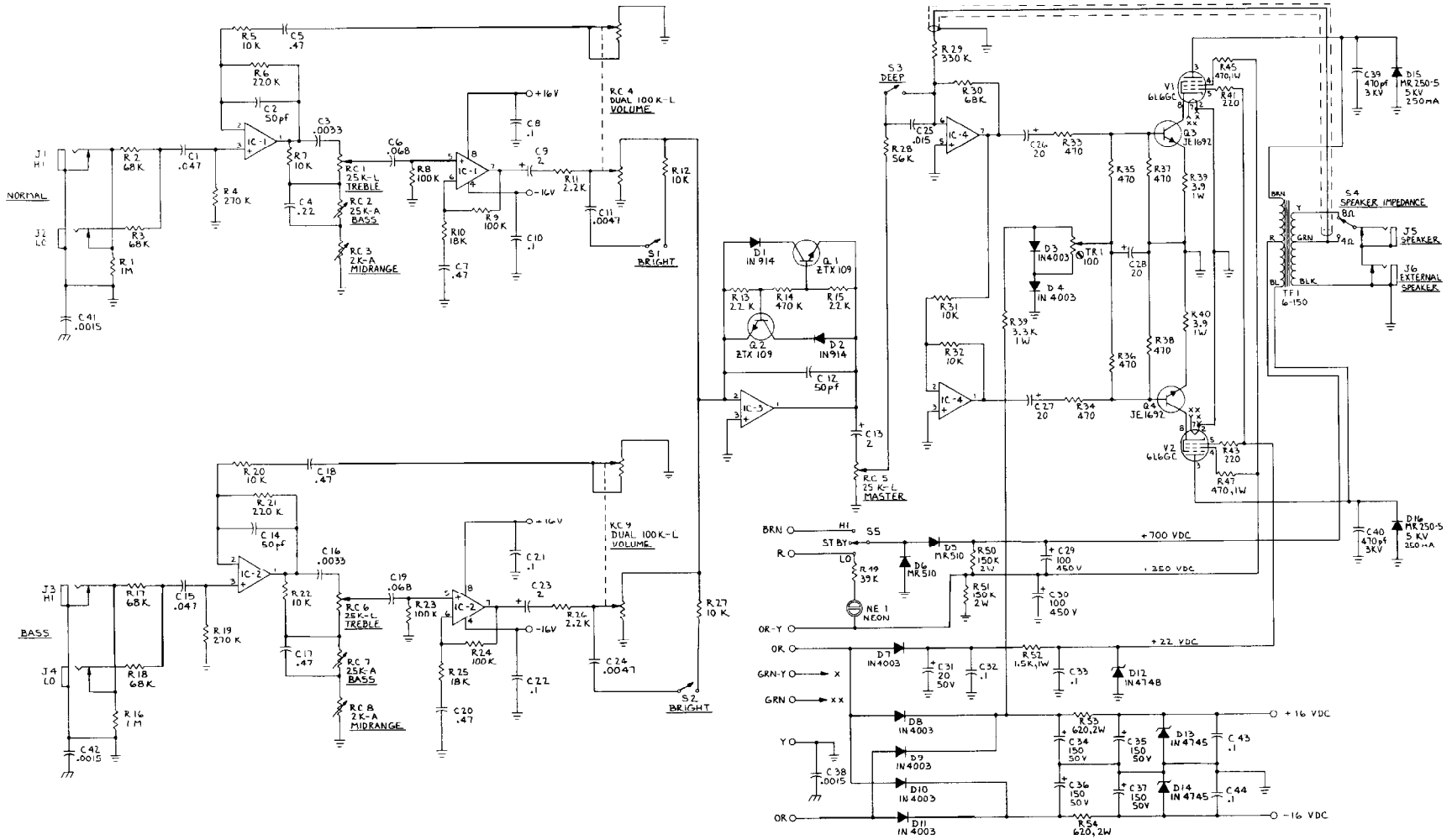
⚠ ON 2275 CHASSIS, BRIGHT SWITCH & .015 μF CAP. ARE ELIMINATED.  
 NOTE: ⚠ ON 2275 CHASSIS, MIDRANGE IS REPLACED BY 820Ω RESISTOR.

CHASSIS NO 2475-65  
 & 2275-65

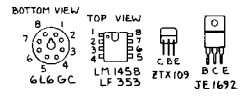
MUSIC MAN INC.  
 ANAHEIM, CA.

# BB-3 (75w)

# Music Man



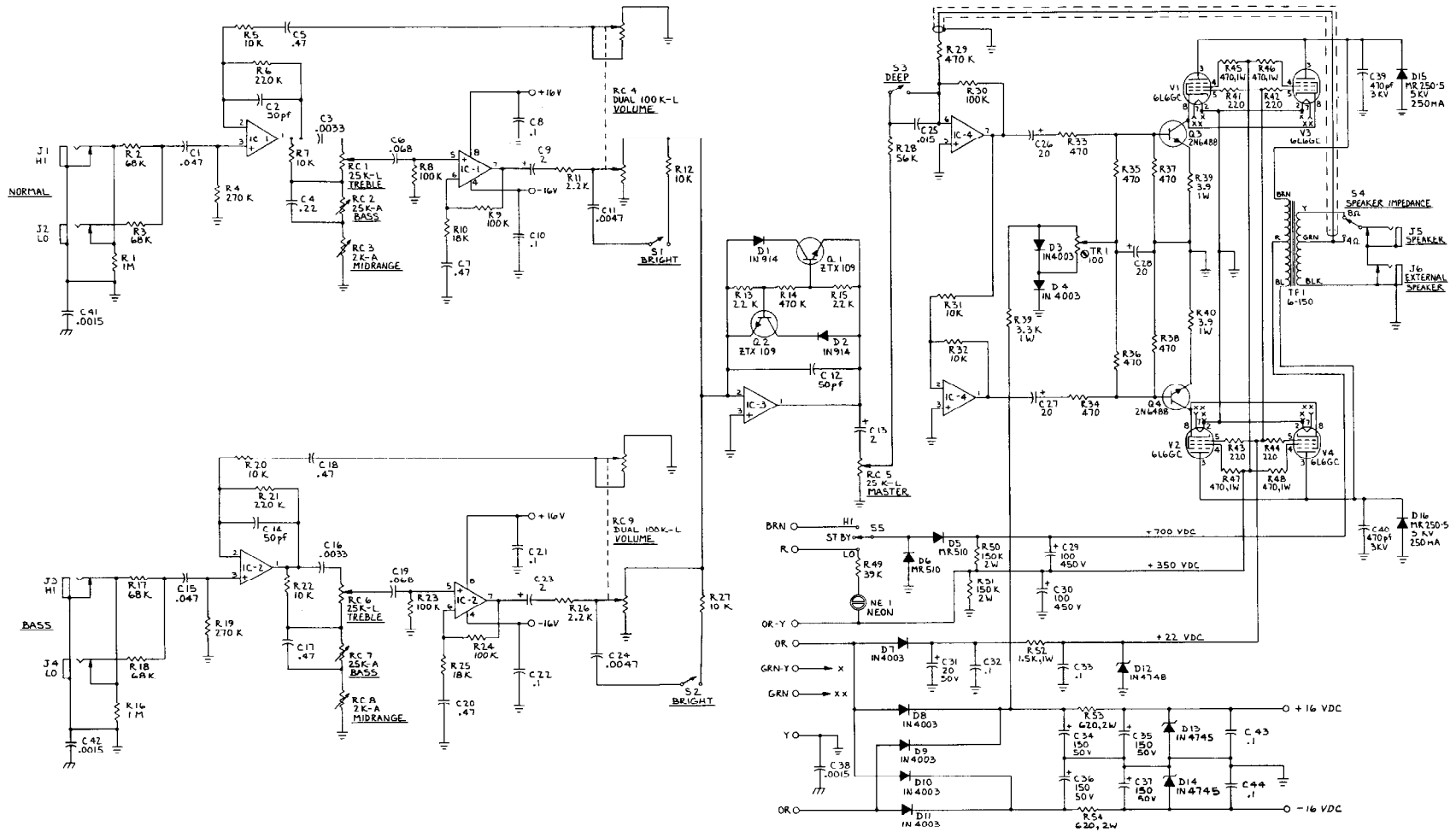
3. IC 1'S 1, 2, & 3 ARE LF 353 OR TL072; IC 4 IS LM145B.
2. ALL CAPACITANCE VALUES ARE IN MICROFARADS (μF) EXCEPT WHERE NOTED.
- NOTE: 1. ALL RESISTANCE VALUES ARE IN OHMS (Ω), ¼ WATT, EXCEPT WHERE NOTED.



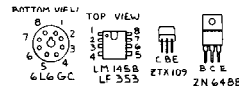
DRAWN	McQuay 7-38	MUSIC MAN INC.	ANAHEIM, CA.
CHECKED	W. J. 7-38	SCHEMATIC DIAGRAM - BB-3 AMPLIFIER, 75 W	
DESIGNED	W. J. 7-38		
APPROVED	W. J. 7-38	SCALE	DWG. NO. 7002
APPROVED	W. J. 7-38	SHEET 1	OF 1

# BB-3 (150w)

# Music Man



3. IC'S 1, 2, & 3 ARE LF 353 OR TL072; IC 4 IS LM 1458.
2. ALL CAPACITANCE VALUES ARE IN MICROFARADS (μF) EXCEPT WHERE NOTED.
- NOTE: 1. ALL RESISTANCE VALUES ARE IN OHMS (Ω), ¼ WATT, EXCEPT WHERE NOTED.

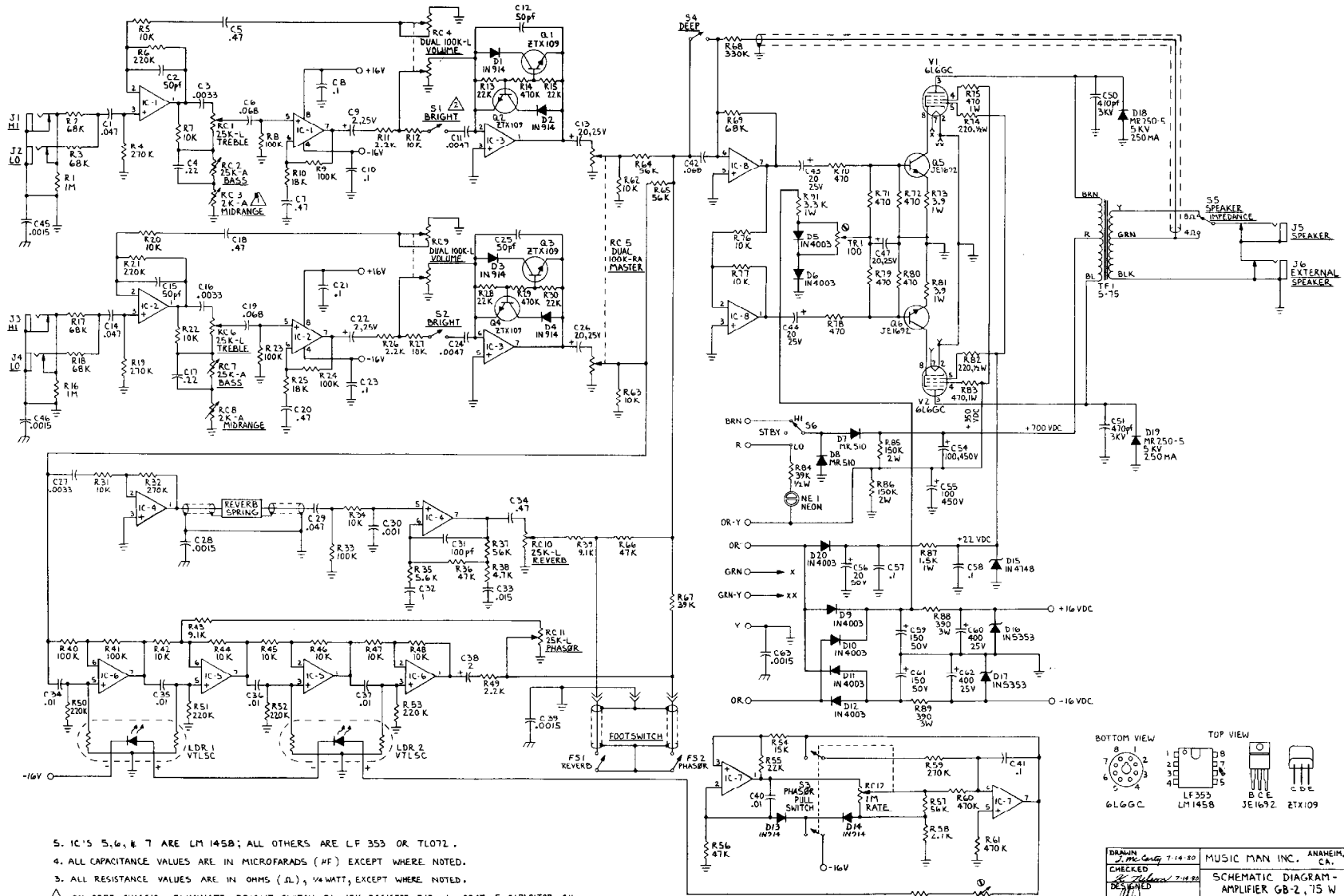


DRAWN M. C. G. 7-80	MUSIC MAN INC. ANAHEIM, CA.
CHECKED J. H. G. 7-80	SCHEMATIC DIAGRAM - BB-3 AMPLIFIER, 150W
DESIGNED J. H. G. 7-80	
APPROVED J. H. G. 7-80	SCALE DWG. NO 7001
APPROVED M. W. 7-80	SHEET 1 OF 1

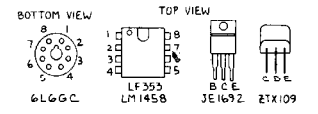


# GB-2 (2275 & 2475 CHASSIS)

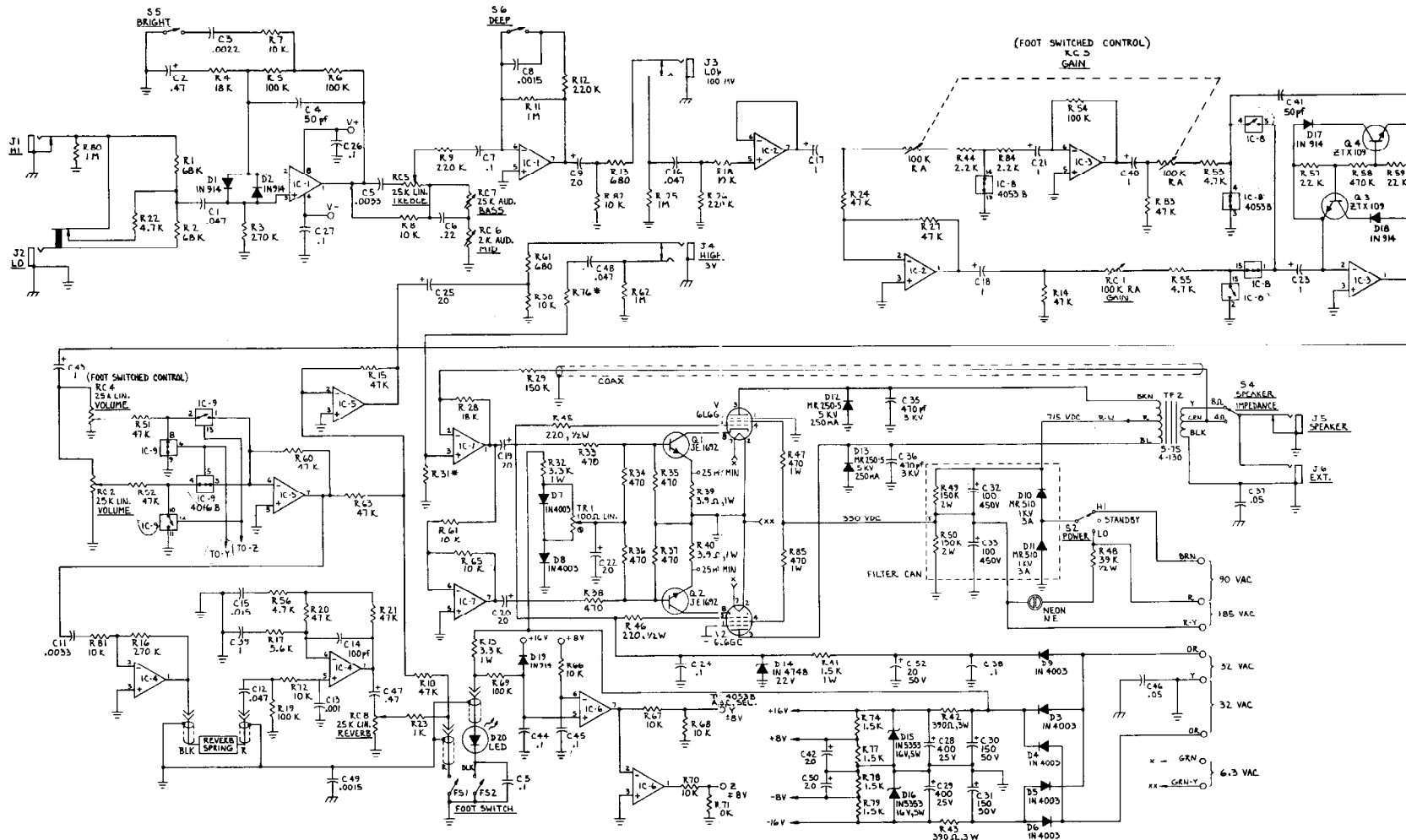
# Music Man



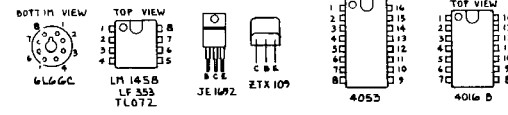
5. IC'S 5, 6, & 7 ARE LM 1458; ALL OTHERS ARE LF 353 OR TL072.
  4. ALL CAPACITANCE VALUES ARE IN MICROFARADS (MF) EXCEPT WHERE NOTED.
  3. ALL RESISTANCE VALUES ARE IN OHMS (Ω), 1/4 WATT, EXCEPT WHERE NOTED.
- ▲ ON 2275 CHASSIS, ELIMINATE BRIGHT SWITCH S1, 10K RESISTOR R12, & .0047 MF CAPACITOR C11.  
 NOTE: ▲ ON 2275 CHASSIS, REPLACE MIDRANGE CONTROL RC3 WITH 820 Ω RESISTOR.



DRAWN J. McQuay 7-14-80	MUSIC MAN INC. ANAHEIM, CA.
CHECKED S. J. Brown 7-14-80	SCHEMATIC DIAGRAM - AMPLIFIER GB-2, 75 W 2275 & 2475 CHASSIS
DESIGNED S. J. Brown 7-14-80	
APPROVED J. McQuay 7-14-80	SCALE DRAWN BY BOOZ
DATE 7-15-80	SHEET 1 OF 1



#COMPONENT VALUES	
R.31	150K 220K
R.76	56K 22K



4. IC-1, IC-3, IC-4 ARE LF 353 OR TL072 OP AMPS.
  3. IC-2, IC-5, IC-6, IC-7 ARE LM 1458 OP AMPS.
  2. ALL CAPACITANCE VALUES ARE IN MICROFARADS (UF) EXCEPT WHERE NOTED.
- NOTE: 1. ALL RESISTANCE VALUES ARE IN OHMS (Ω) EXCEPT WHERE NOTED.

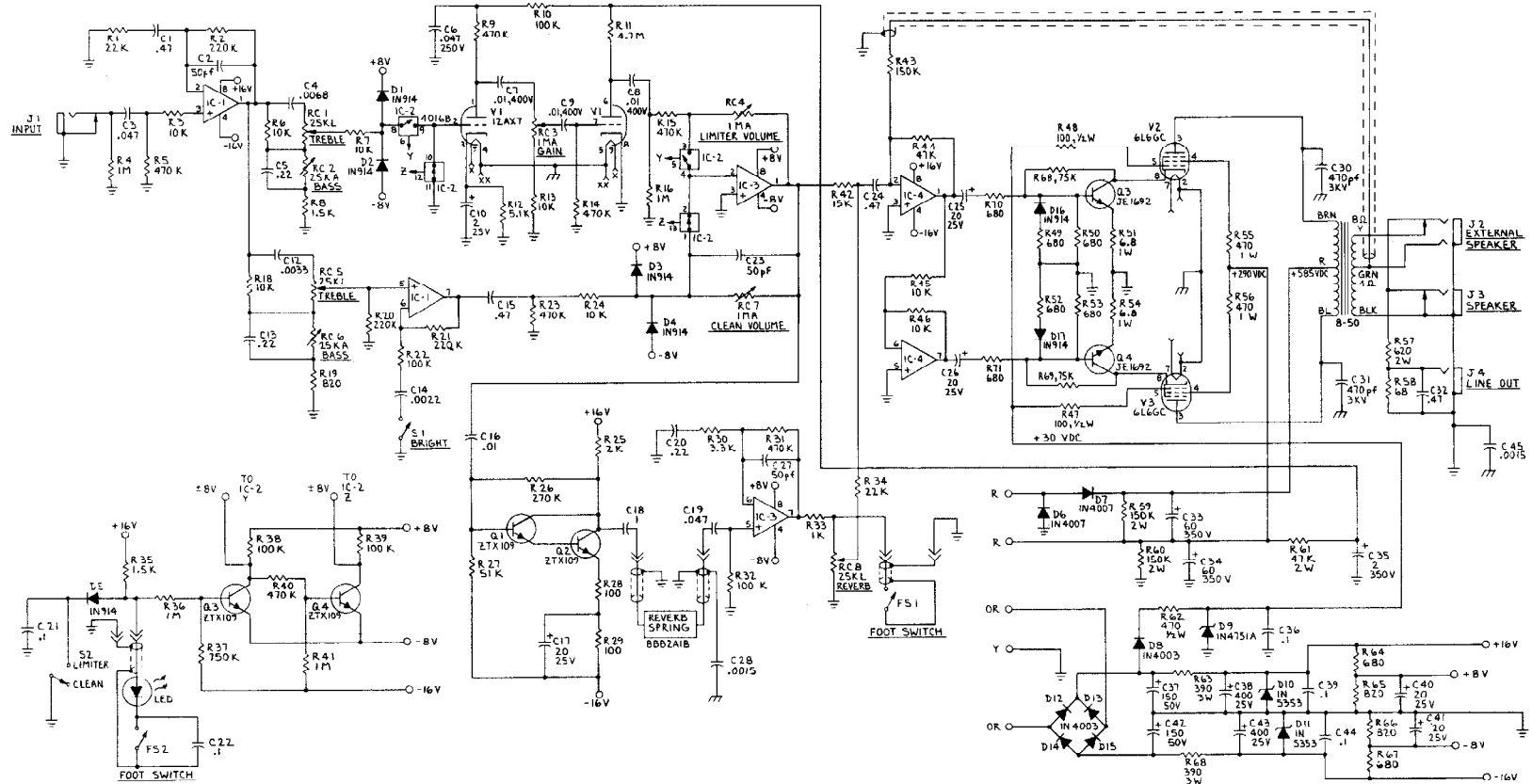
DRAWN	J. M. G. 6-19-80	MUSIC MAN INC. ANAHEIM, CA.
CHECKED	M. S. B. 6-19-80	SCHEMATIC DIAGRAM -
DESIGNED		RD AMPLIFIER GD-2A
APPROVED		
SCALE	1/8" = 1"	
SHEET	1	OF 1



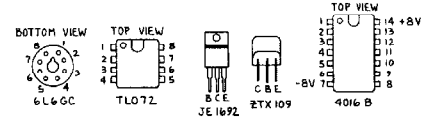
RD-50

# Music Man

REVISION	DATE
A	11-1-80
B	11-1-80
C	11-1-80
D	11-1-80
E	11-1-80
F	11-1-80
G	11-1-80
H	11-1-80
I	11-1-80
J	11-1-80
K	11-1-80
L	11-1-80
M	11-1-80
N	11-1-80
O	11-1-80
P	11-1-80
Q	11-1-80
R	11-1-80
S	11-1-80
T	11-1-80
U	11-1-80
V	11-1-80
W	11-1-80
X	11-1-80
Y	11-1-80
Z	11-1-80



5. +BV & -BV ARE NOMINAL; ACTUAL VOLTAGE MAY VARY ±1 VOLT.  
 4. IC-2 IS 4016B.  
 3. IC'S 1,3,4 ARE TL072.  
 2. ALL CAPACITANCE VALUES ARE IN MICROFARADS (μF) EXCEPT WHERE NOTED.  
 NOTE: 1. ALL RESISTANCE VALUES ARE IN OHMS (Ω), 1/4 WATT, EXCEPT WHERE NOTED.



DRAWN CHECKED DESIGNED APPROVED APPROVED	MUSIC MAN INC. MUSKOGEE, GA. SCHEMATIC DIAGRAM - RD-50 AMPLIFIER SCALE: DWG-NB 5004 REV. B SHEET 1 OF 1
--	---